

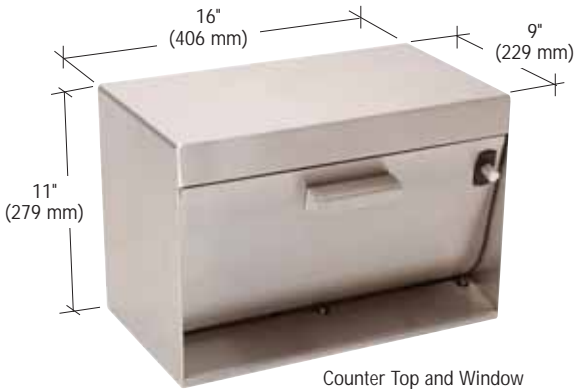
# TRANSACTION PASS-THRUS

## Pass-Thru Hopper

- All Stainless Steel Construction
- Lockable From Clerk's Side (Secure Side)
- Mounts Counter Top, Thru-Wall, or in a Window Opening
- Level 1 Bullet Resistant Protection
- Stock and Custom Sizes Available

The Pass-Thru Hopper is the perfect way to complete transactions when security is a concern. The Hopper is simple to operate. The clerk effortlessly pushes outward on the handle and the Hopper pivots towards the customer to start the transaction. Then the clerk gently pulls inward and is able to retrieve the items placed inside the Hopper. The perfect Pass-Thru for convenience stores, gas stations, financial institutions, police stations, jails or detention centers.

The Pass-Thru Hopper is ideal for exchanging moneybags, gallon containers such as milk or anti-freeze, as well as two-liter size beverages. It's also available with two adjustable flanges for Thru-Wall applications. Will work on wall thicknesses up to 9" (229 mm). Custom sizes are available upon request.



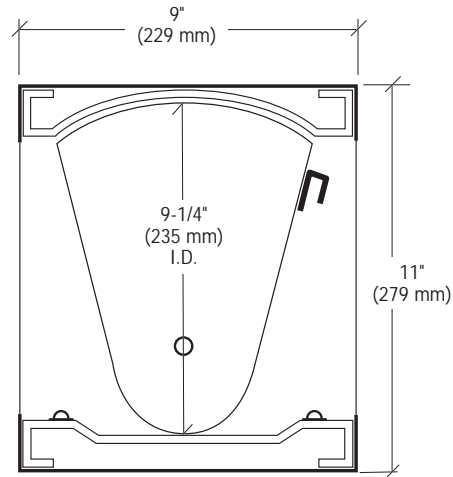
Counter Top and Window Opening Model (Clerk's Side Shown)



Thru-Wall Model with 1" (25.4 mm) Flange (Clerk's Side Shown)

**SPECIFICATIONS:**  
**Material:** Stainless Steel  
**Finish:** Brushed Stainless Steel #4 Finish  
**Instructions Included**  
**Glass or Wall Fabrication Required**

Large 15-5/8" W x 9-1/4" H x 6-1/2" D (397 x 235 x 165 mm) Service Opening for Bigger Items



Side View



### PROTECTION LEVEL



CAT. NO.	MOUNTING TYPE	WIDTH	DEPTH	HEIGHT
HOP1611	Counter Top/ Window Opening	16" (406 mm)	9" (229 mm)	11" (279 mm)
HOP1611TW	Thru-Wall	18" (457 mm)*	9" (229 mm)	12" (305 mm)*

Minimum order: 1 each. \* Measurements for the Thru-Wall Unit includes 1" flange on three sides of the Pass-Thru Hopper.