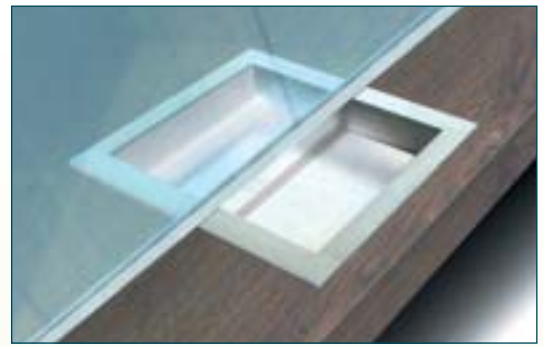
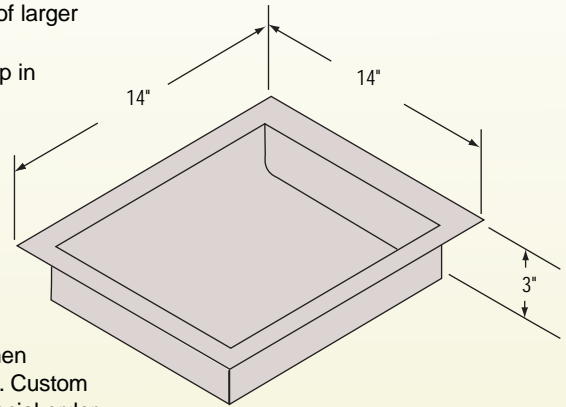
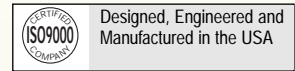


Deep Deal Tray



- Flush Drop In Design Tray is Deeper for Passing Larger Items
- Brushed Stainless Steel

The Deep Deal Tray has a 3" height to allow for passing of larger articles from clerk to customer. The flush drop in design of the tray requires a counter with a thickness of at least 3-1/4". Trays are constructed of brushed stainless steel, and can be installed in counters with exposure to the outdoors. Deal Tray does not have drain holes, so an awning or overhang is recommended when used in an exterior application. Custom sizes are also available on special order.

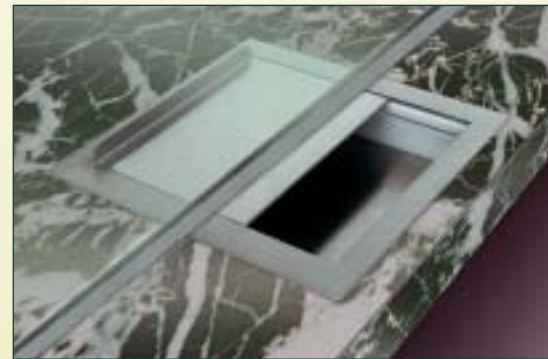


CAT. NO.	WIDTH	DEPTH	HEIGHT
DT1414	14"	14"	3"

SPECIFICATIONS:

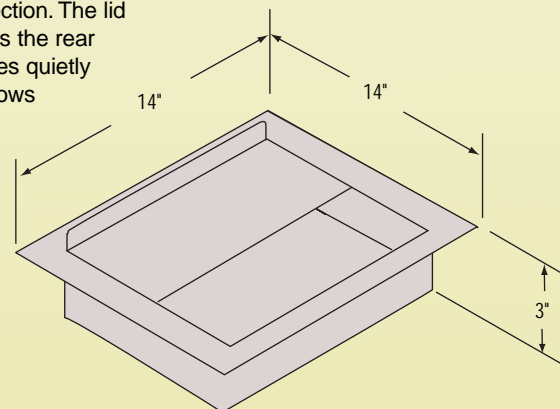
Material: Stainless Steel
 Finish: Brushed Stainless Steel
 Instructions Included
 Counter Fabrication Required

Deep Deal Tray with Lid



- Deep Tray with Sliding Lid for Added Security
- Flush Drop In Design
- Brushed Stainless Steel

This Deep Deal Tray has a sliding lid to help minimize heat or cooling loss, and offer extra protection. The lid has a full width flange across the rear that acts as a handle, and slides quietly on solid bearings. Deep tray allows items up to 2-3/4" thick to be passed. Drop in design requires a counter at least 3-1/4" thick for flush installation. Brushed stainless steel finish resists nicks and scratches. Deal Tray does not have drain holes, so an awning or overhang is recommended when used in an exterior application. Custom size units are available on special order.



CAT. NO.	WIDTH	DEPTH	HEIGHT
DTWL1414	14"	14"	3"

SPECIFICATIONS:

Material: Stainless Steel
 Finish: Brushed Stainless Steel
 Instructions Included
 Counter Fabrication Required